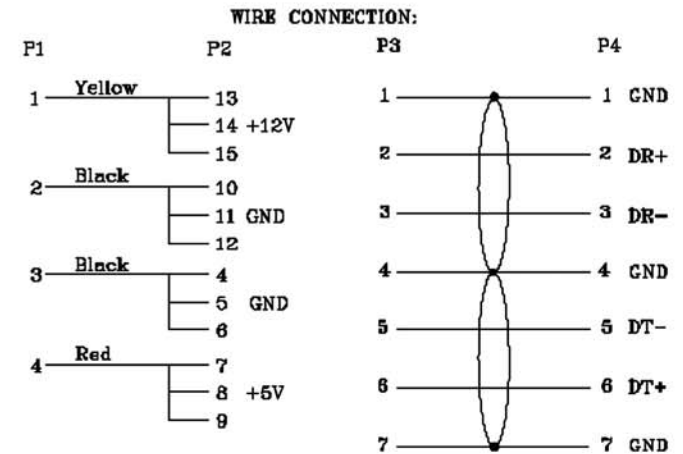


- 100% OPEN / SHORT / INSULATION TEST
- INSULATION TEST: 2MΩ
- PACKING: SEE P-0039 REV.C PACKING DRAWING  
(BINDING SIZE MUST BE SMALLER THAN BLISTER)

150-0480-3	AK-SATA-SP-100	1000	20	4018032154280	DB VP2
150-0480-2	AK-SATA-SP-075	750	20	4018032154273	DB VP2
150-0480-1	AK-SATA-SP-050	500	20	4018032154266	DB VP2
DWG	P/N	L (mm)	T (mm)	EAN CODE	BLISTER



COMPONENTS	DESCRIPTION	Q'TY
1 SATA15F	Insulator :SPS UL94V-0 ,Black , Contact : Phosphor Bronze	1
2 Power Plug	4P Male	1
3 Wire	UL1007 18AWG (Color: BLACK X2 ,YELLOW X1 , RED X1) L: 140mm	4
4 HOOD	PVC 45P Molded Color: Black(NK-K01)	1
5 CABLE (LIAN FENG)	S-ATA CABLE, UL2725[26AWG(1/0.404)*2F+AL/MY+DW(1/0.32)*2]TIN Red (PANTONE 200C)COLOR,PVC JACKET:2.2*7.8mm, Insulator:FOAM-PE	1
6 SATA07F	Insulator:SPS UL94V-0,Black,Contact:Phosphor Bronze GOLD PLATED 15u"	2
7 HOOD	PVC 45P Molded Color: Black(NK-K01)	1



ITEM NO **AK-SATA-SP-XXX-R**

TITLE Serial ATA 150 Cable,  
SATA Con.22P to SATA Co.Signal

**ASSMANN**  
Electronics, Inc.

1840 W. Drake Drive, Suite 101 - Tempe, AZ 85283  
Toll Free: 1-877-277-6266 Email: info@usa-assmann.com

THIS DRAWING IS UNPUBLISHED  
© Copyright 2008 by Assmann Electronic Components  
All International Rights Reserved